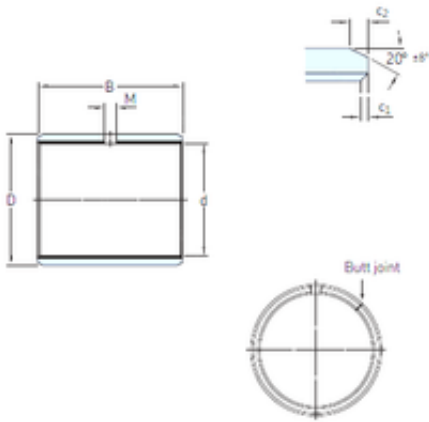




# Changzhou Suma Precision Machinery Co...

55 mm x 60 mm x 40 mm SKF PCM 556040 E  
plain bearings



Bearing No. PCM 556040 E

PCM 556040 E Bearing 2D drawings and 3D CAD models

Size	55x60x40 mm
Bore Diameter	55 mm
Outer Diameter	60 mm
Width	40 mm
d	55 mm
D	60 mm
B	40 mm
c1 min	0,2 mm
c2 min	1,2 mm
M	– mm
Weight	0,135 Kg
Basic dynamic load rating (C)	173 kN
Category	Bearings
Inventory	0.0
Manufacturer Name	SKF
Minimum Buy Quantity	N/A
UNSPSC	31171515
Weight / Kilogram	0.136
EAN	7316572198070
Product Group	B04264
c <sub>1</sub> min.	0.2 mm
c <sub>1</sub> max.	1 mm
c <sub>2</sub> min.	1.2 mm
c <sub>2</sub> max.	2.4 mm
± 8	20 °



## Changzhou Suma Precision Machinery Co...

Tolerance shaft	f7
Tolerance housing	H7
Basic dynamic load rating - radial direction C	173 kN
Basic static load rating - radial direction $C_0$	540 kN
Specific dynamic load factor K	80 N/mm <sup>2</sup>
Specific static load factor $K_0$	250 N/mm <sup>2</sup>
Factor depending on material and bearing type $K_M$	480
Permissible sliding velocity v min.	0 m/s
Permissible sliding velocity v max.	2 m/s
Coefficient of friction $\mu$ min.	0.03
Coefficient of friction $\mu$ max.	0.25
Mass bushing	0.14 kg