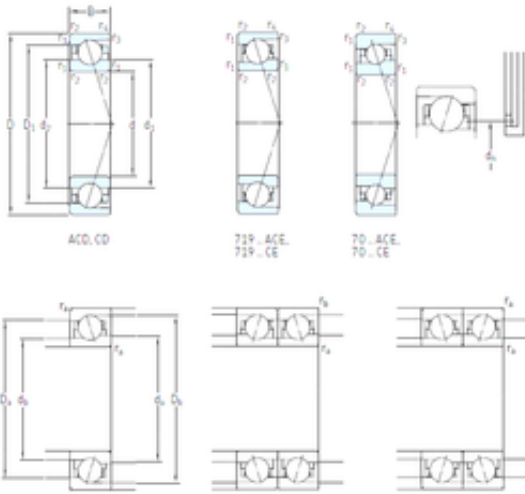




Changzhou Suma Precision Machinery Co...



40 mm x 62 mm x 12 mm SKF 71908 ACE/P4A angular contact ball bearings

Bearing No. 71908 ACE/P4A

71908 ACE/P4A Bearing 2D drawings and 3D CAD models

Size	40x62x12 mm
Bore Diameter	40 mm
Outer Diameter	62 mm
Width	12 mm
d	40 mm
D	62 mm
B	12 mm
C	12 mm
d1	46,5 mm
d2	44,8 mm
r1 min.	0,6 mm
r2 min.	0,6 mm
r3 min.	0,3 mm
r4 min.	0,3 mm
D1	54,2 mm
D2	56,5 mm
da min.	43,2 mm
Da max.	58,8 mm
db min	42 mm
ra max.	0,6 mm
rb max.	0,3 mm
dh	48 mm
Db max	60 mm
Weight	0,1 Kg
Basic dynamic load rating (C)	9,23 kN



Changzhou Suma Precision Machinery Co...

Basic static load rating (C0)	5,85 kN
(Grease) Lubrication Speed	28 000 r/min
(Oil) Lubrication Speed	44 000 r/min
Fatigue load limit (Pu)	0,245
Category	Precision Ball Bearings
Inventory	0.0
Manufacturer Name	SKF
Minimum Buy Quantity	N/A
Weight / Kilogram	0.126
Product Group	B04270
Enclosure	Open
Precision Class	ABEC 7 ISO P4
Material - Ball	Steel
Number of Bearings	1 (Single)
Contact Angle	25 Degree
Preload	None
Raceway Style	1 Rib Inner Ring and Outer Ring
Cage Material	Phenolic
Rolling Element	Ball Bearing
Flush Ground	No
Inch - Metric	Metric
Other Features	Single Row Angular Contact High Precision High Speed
Long Description	40MM Bore; 62MM Outside Diameter; 12MM Width; Open Enclosure; ABEC 7 ISO P4 Precision; Steel Ball Material; 1 (Single) Bearings; 25 Degree Contact Angle; Phenolic Cage Material; 1 Rib Inner Ring and
Category	Precision Ball Bearings
UNSPSC	31171531



Changzhou Suma Precision Machinery Co...

Harmonized Tariff Code	8482.10.50.28
Noun	Bearing
Keyword String	Angular Contact Ball
Manufacturer URL	http://www.skf.com
Manufacturer Item Number	71908 ACE/P4A
Weight / LBS	0.278
Outside Diameter	2.441 Inch 62 Millimeter
Bore	1.575 Inch 40 Millimeter
Width	0.472 Inch 12 Millimeter
d_1	46.5 mm
d_2	44.8 mm
D_1	54.15 mm
$r_{1,2}$ min.	0.6 mm
$r_{3,4}$ min.	0.3 mm
a	18.6 mm
d_a min.	43.2 mm
d_b min.	42 mm
D_a max.	58.8 mm
D_b max.	60 mm
r_a max.	0.6 mm
r_b max.	0.3 mm
d_n	48 mm
Basic dynamic load rating C	9.23 kN
Basic static load rating C_0	5.85 kN
Fatigue load limit P_u	0.245 kN
Attainable speed for grease lubrication	28000 r/min
Attainable speed for oil-air lubrication	44000 r/min
Ball diameter D_w	6.35 mm
Number of balls z	19
Reference grease quantity G_{ref}	1.4 cm ³



Changzhou Suma Precision Machinery Co...

Preload class A G_A	84 N
Static axial stiffness, preload class A	78 N/ μ m
Preload class B G_B	250 N
Static axial stiffness, preload class B	117 N/ μ m
Preload class C G_C	505 N
Static axial stiffness, preload class C	153 N/ μ m
Calculation factor f	1.05
Calculation factor f_1	0.99
Calculation factor f_{2A}	1
Calculation factor f_{2B}	1.04
Calculation factor f_{2C}	1.07
Calculation factor f_{HC}	1
Calculation factor e	0.68
Calculation factor (single, tandem) Y_2	0.87
Calculation factor (single, tandem) Y_0	0.38
Calculation factor (single, tandem) X_2	0.41
Calculation factor (back-to-back, face-to-face) Y_1	0.92
Calculation factor (back-to-back, face-to-face) Y_2	1.41
Calculation factor (back-to-back, face-to-face) Y_0	0.76
Calculation factor (back-to-back, face-to-face) X_2	0.67
Mass bearing	0.1 kg