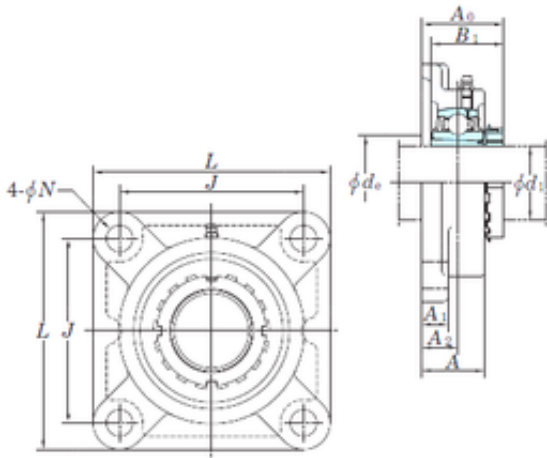




KOYO UKF209 bearing units



Bearing No. UKF209

Bore Diameter	41,275 mm
d	41,275 mm
A0	47,5 mm
d3	52 mm
A	38 mm
A1	16 mm
B1	39 mm
J	105 mm
L	137 mm
N	16 mm
Thread (G)	M14
A2	22 mm
Weight	2,3 Kg
Basic dynamic load rating (C)	34,1 kN
Basic static load rating (C0)	21,3 kN

UKF209 Bearing 2D drawings and 3D CAD models