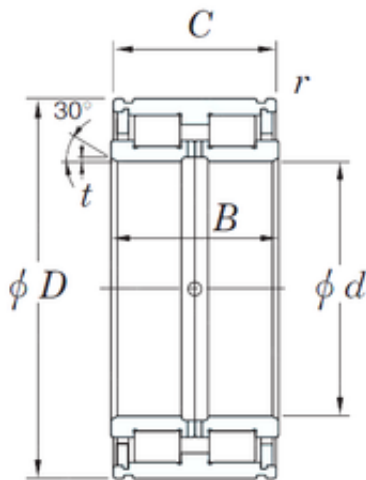




Changzhou Suma Precision Machinery Co...



200 mm x 310 mm x 150 mm KOYO DC5040N
cylindrical roller bearings

Bearing No. DC5040N

Size	200x310x150 mm
Bore Diameter	200 mm
Outer Diameter	310 mm
Width	150 mm
d	200 mm
D	310 mm
B	150 mm
C	149 mm
t	2 mm
r min.	1,1 mm
C1	120 mm
S	14,5 mm
Weight	41,7 Kg
Basic dynamic load rating (C)	1 390 kN
Bearing No.	DC5040N
r(min)	1.1
Cr	1390
C0r	2980
E	-
f	-
da(min)	240
Dx(min)	-
C2	-
(Refer.) Mass(kg)	41.7

DC5040N Bearing 2D drawings and 3D CAD models