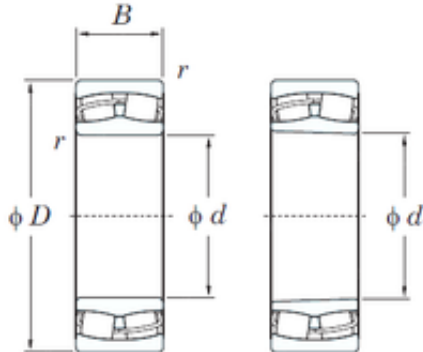




120 mm x 180 mm x 46 mm KOYO 23024RH spherical roller bearings



Bearing No. 23024RH

Size	120x180x46 mm
Bore Diameter	120 mm
Outer Diameter	180 mm
Width	46 mm
d	120 mm
D	180 mm
B	46 mm
C	46 mm
r min.	2 mm
da min.	130 mm
Da max.	170 mm
ra max.	2 mm
Weight	4,2 Kg
Basic dynamic load rating (C)	314 kN
Basic static load rating (C0)	524 kN
(Grease) Lubrication Speed	1700 r/min
(Oil) Lubrication Speed	2300 r/min
Calculation factor (e)	0,23
Calculation factor (Y0)	2,89
Calculation factor (Y1)	2,95

23024RH Bearing 2D drawings and 3D CAD models