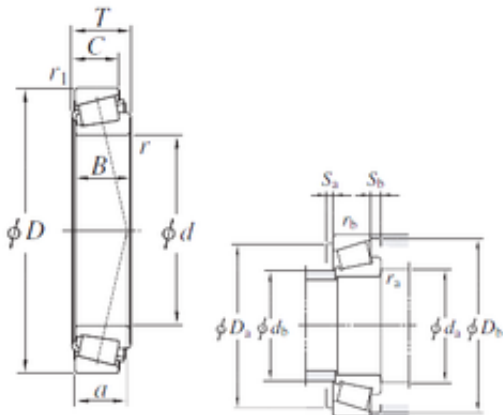




Changzhou Suma Precision Machinery Co...

431,8 mm x 603,25 mm x 73,025 mm KOYO
EE241701/242375 tapered roller bearings



Bearing No. EE241701/242375

EE241701/242375 Bearing 2D drawings and 3D CAD models

Size	431.8x603.25x76.2 mm
Bore Diameter	431,8 mm
Outer Diameter	603,25 mm
Width	76,2 mm
d	431,8 mm
D	603,25 mm
T	76,2 mm
B	73,025 mm
C	50,8 mm
a	122,8 mm
r min.	6,4 mm
r1 min.	6,4 mm
da min.	453 mm
Da min	545 mm
Da max.	580 mm
db max.	473 mm
ra max.	6,4 mm
rb max.	6,4 mm
Db	560 mm
Weight	53,4 Kg
Basic dynamic load rating (C)	977 kN
Basic static load rating (C0)	1880 kN
Calculation factor (e)	0,53
Calculation factor (Y0)	0,63